

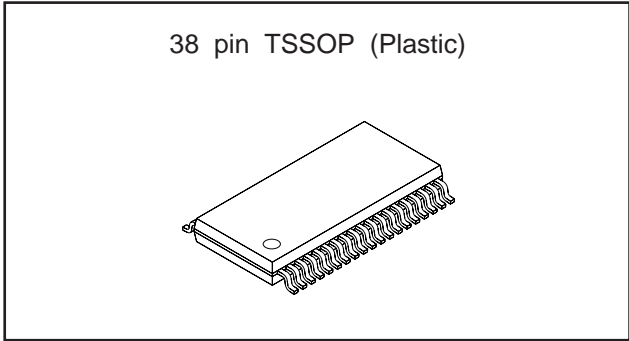
**6/4-channel Read/Write Amplifier for GMR-Ind Head Hard Disk Drive**

**Description**

The CXA3238TN/CXA3239TN is a Read/Write amplifier for GMR-Ind (Giant Magneto Resistive-Inductive) heads used in hard disk drives, and is capable of supporting up to six channels.

**Features**

- +5 V and -3 V power supply.
- Current bias voltage sense type.
- Drives up to six heads (CXA3238TN)
- Drives up to four heads (CXA3239TN)
- Low power 180 mW at Read
- Differential read amplifier gain ;  $\times 140/190$   
( $R_{MR}=50 \Omega$ )
- Input noise of  $0.77 \text{ nV} / \sqrt{\text{Hz}}$  (typ.),  
 $R_{MR}=50 \Omega, I_B=6.0 \text{ mA}$ .
- Recovery time write to read ; 300 nsec. (typ.)
- Write data is triggered by differential P-ECL signal.
- Servo bank write. (All channels)
- Write unsafe detection circuit.
- Serial port ...
  - Head selection
  - MR bias
  - Write current



**Absolute Maximum Ratings** ( $T_a=25 \text{ }^\circ\text{C}$ )

• Supply voltage	$V_{CC}$	-0.3 to +6	V
• Supply voltage	$V_{EE}$	-4.5 to +0.3	V
• Digital input voltage	$V_{di}$	-0.3 to $V_{CC}+0.3$	V
• Operating temperature	$T_{opr}$	-20 to +70	$^\circ\text{C}$
• Storage temperature	$T_{stg}$	-55 to +150	$^\circ\text{C}$
• Allowable power dissipation			
	TSSOP38	$P_D$	1000 mW

**Operating Conditions**

• Supply voltage	$V_{CC}$	+4.4 to +5.5	V
	$V_{EE}$	-4.0 to -2.6	V
• MR bias voltage	$V_{MR}$	-300 to +300	mV
• Bias current	$I_B$	3 to 8	mA
• Write current	$I_W$	15 to 45	mA

**Applications**

Hard disk drives with GMR-Ind heads.

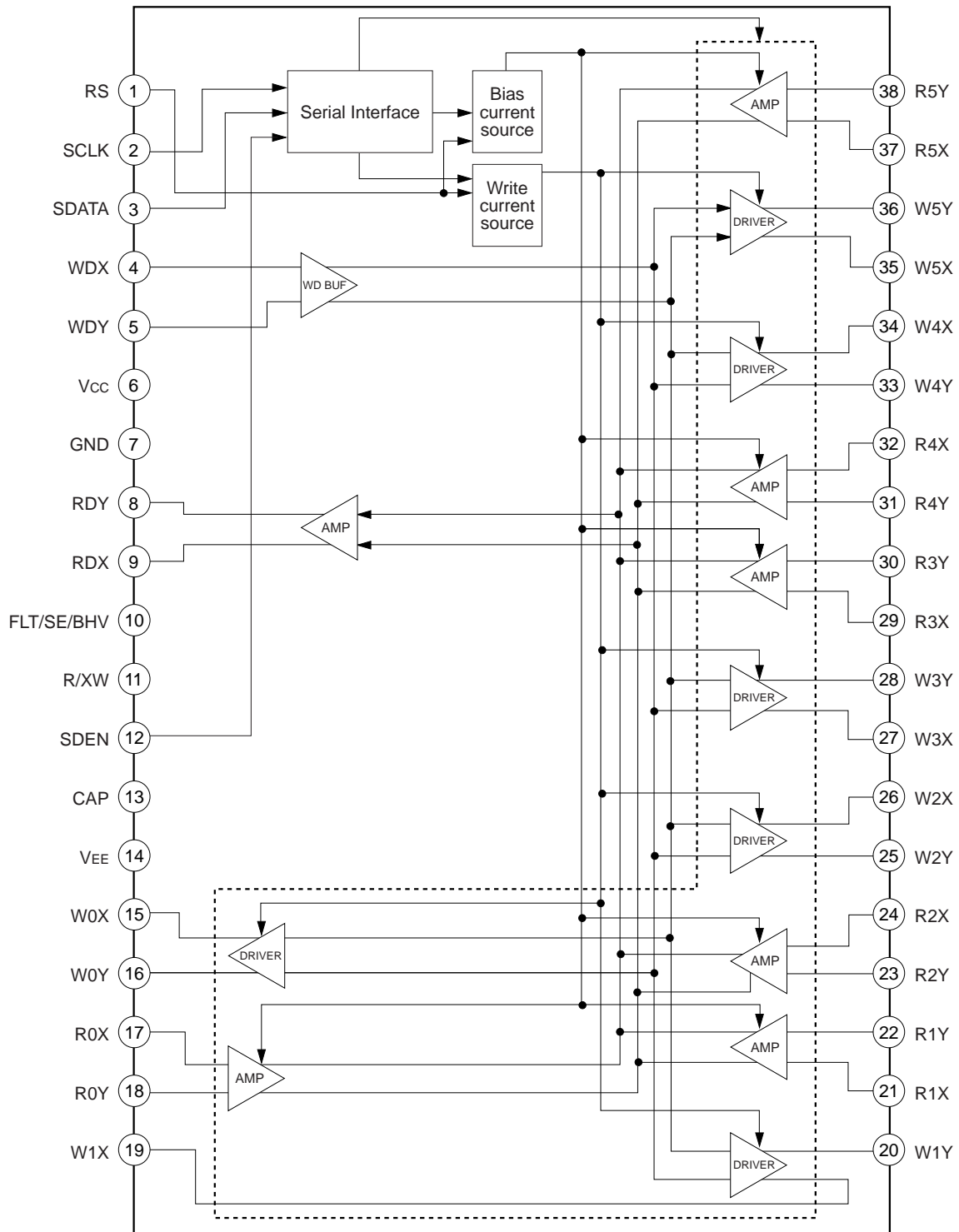
**Structure**

Bipolar silicon monolithic IC

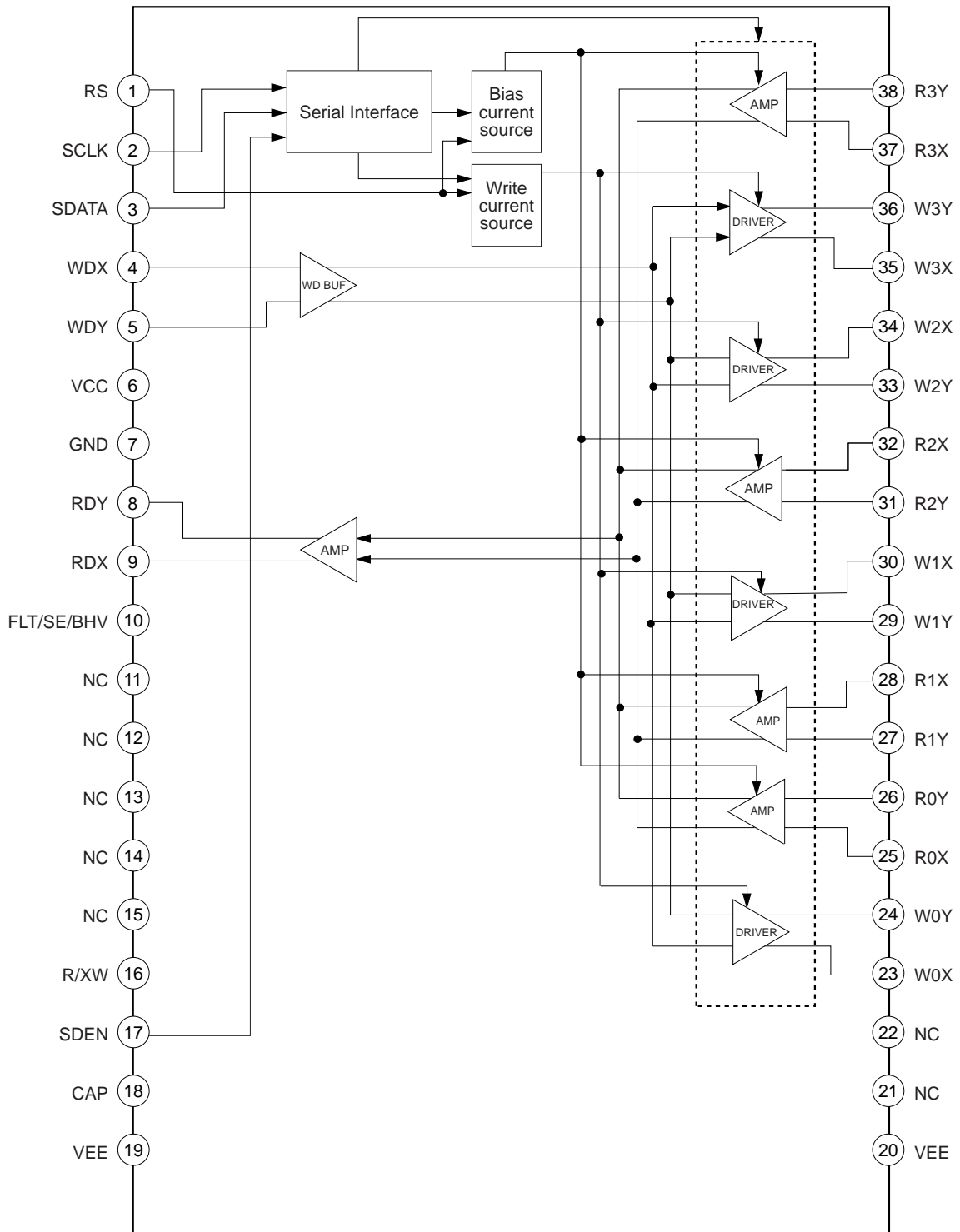
Sony reserves the right to change products and specifications without prior notice. This information does not convey any license by any implication or otherwise under any patents or other right. Application circuits shown, if any, are typical examples illustrating the operation of the devices. Sony cannot assume responsibility for any problems arising out of the use of these circuits.

Block Diagram and Pin Configuration

CXA3238TN



CXA3239TN



Pin Description CXA3238TN

Pin No.	Symbol	Equivalent circuit	Description
1	RS		Bias current setting resistor is connected between this pin and GND.
2 3 12	SCLK SDATA SDEN		Serial control signal input.
4 5	WDX WDY		Differential P-ECL write data input.
6	Vcc		5 V power supply.
7	GND		Ground
9 8	RDX RDY		Read amplifier output with coupling capacitors. High impedance in the write mode.

Pin No.	Symbol	Equivalent circuit	Description
10	FLT/SE/BHV		Head unsafe detection output. Servo Bank Write Enable input. Buffered Head Voltage output.
11	R/XW		Read / Write control signal input. Read when high, Write when low.
13	CAP		Connect an external capacitor of Read amplifier between this pin and VEE.
14	V <sub>EE</sub>		-3 V power supply.
15 16 19 20 26 25 27 28 34 33 35 36	W0X W0Y W1X W1Y W2X W2Y W3X W3Y W4X W4Y W5X W5Y		Inductive heads for Write. Six channels are provided.

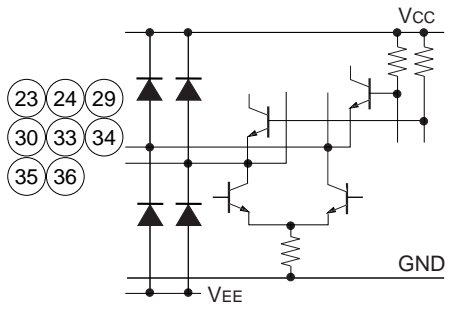
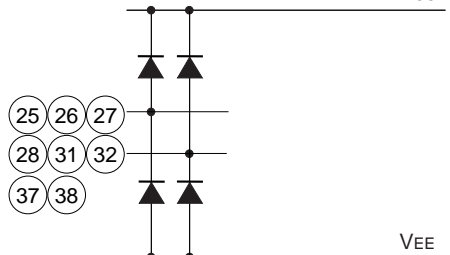
Pin No.	Symbol	Equivalent circuit	Description
17 18 21 22 24 23 29 30 32 31 37 38	R0X R0Y R1X R1Y R2X R2Y R3X R3Y R4X R4Y R5X R5Y		MR heads for Read. Six channels are provided.

Pin Description CXA3239TN

Pin No.	Symbol	Equivalent circuit	Description
1	RS		Bias current setting resistor is connected between this pin and GND.
2 3 17	SCLK SDATA SDEN		Serial control signal input.
4 5	WDX WDY		Differential P-ECL write data input.
6	Vcc		5 V power supply.
7	GND		Ground
9 8	RDX RDY		Read amplifier output with coupling capacitors. High impedance in the write mode.

Pin No.	Symbol	Equivalent circuit	Description
10	FLT/SE/BHV		<p>Head unsafe detection output.                      Servo Bank Write Enable input.                      Buffered Head Voltage output.</p>
11 12 13 14 15 21 22	NC		Non Connection
16	R/XW		<p>Read / Write control signal input.                      Read when high, Write when low.</p>
18	CAP		<p>Connect an external capacitor of Read amplifier between this pin and VEE.</p>
19, 20	V <sub>EE</sub>		-3 V power supply.



Pin No.	Symbol	Equivalent circuit	Description
23 24 29 30 33 34 35 36	W0X W0Y W1Y W1X W2Y W2X W3X W3Y		Inductive heads for Write. Four channels are provided.
25 26 27 28 31 32 37 38	R0X R0Y R1Y R1X R2Y R2X R3X R3Y		MR heads for Read. Four channels are provided.

**Electrical Characteristics**

(Unless otherwise specified;  $V_{CC}=5\text{ V}$ ,  $V_{EE}=-3\text{ V}$ ,  $T_a=25\text{ }^\circ\text{C}$ ,  $CAP=0.1\text{ }\mu\text{F}$ ,  $R_S=7.5\text{ k}\Omega$ )

No.	Item	Symbol	Measurement conditions	Min.	Typ.	Max.	Unit
Power Dissipation $I_W=31\text{ mA}$ , $I_B=6.0\text{ mA}$							
1-1	$V_{CC}$ power supply current	$I_{SP1}$	SLEEP mode		2.1	2.8	mA
1-2		$I_{ID1}$	IDLE mode		22	29	mA
1-3		$I_{RE1}$	Read mode		36	47	mA
1-4		$I_{WR1}$	Write mode		80	100	mA
1-6	$V_{EE}$ power supply current	$I_{ID2}$	IDLE mode		10	13	mA
1-7		$I_{RE2}$	Read mode		10	13	mA
1-8		$I_{WR2}$	Write mode		10	13	mA
1-9	Bank write mode	$I_{CCBW}$	$I_{CCBW}=17+17\times N+I_W\times N$ , $I_W=31\text{ mA}$		300		mA
Digital Inputs							
2-1	TTL input low input voltage	$V_{IL}$	TTL input; R/XW Pull-up resistor : 100 k $\Omega$	0		0.8	V
2-2	TTL input high input voltage	$V_{IH}$		2.0		$V_{CC}+0.3$	V
2-3	TTL input input current	$I_{TTL}$	High voltage : 5 V Low voltage : 0 V	-100		100	$\mu\text{A}$
2-4	Serial interface input low input voltage	$V_{SIL}$	Serial input; SDATA, SCLK, SDEN			1	V
2-5	Serial interface input high input voltage	$V_{SIH}$		4			V
2-6	Serial interface input input current	$I_{ST}$	High voltage : 5 V, Low voltage : 0 V Pull-down resistor : 14 k $\Omega$	-1000		1000	$\mu\text{A}$
3-1	P ECL input Voltage range	$V_{WDV}$	Write data input	$V_{CC}$ -2.5		$V_{CC}+0.3$	V
3-2	P ECL input Input amplitude	$V_{WDA}$		0.3		1.5	V
3-3	P ECL input current	$I_{WD}$	Input voltage : 4 V	-20		20	$\mu\text{A}$
3-4	P ECL input high input voltage 2	$V_{PIH}$	$V_{DD}=3.3\text{ V}$	$V_{DD}-0.2$	$V_{DD}$		V
3-5	P ECL input low input voltage 2	$V_{PIL}$		2.0	$V_{DD}-0.5$	$V_{DD}-0.3$	V
3-6	P ECL input differential voltage 2	$V_{diff}$		$(V_{PIH}-V_{PIL}) \times 2$	400	800	1300

No.	Item	Symbol	Measurement conditions	Min.	Typ.	Max.	Unit
4-1	Bank Write Enable voltage	V <sub>SEH</sub>		V <sub>CC</sub> +1.2		V <sub>CC</sub> +1.4	V
4-2	Bank Write Enable current	I <sub>SEH</sub>		6		14	mA
5-1	FLT output low voltage	V <sub>FLTL</sub>	External resistance=2.4 kΩ			0.8	V
5-2	FLT output high voltage	V <sub>FLTH</sub>	External resistance=2.4 kΩ	4.5			V
6	BHV gain accuracy	E <sub>BHV</sub>	V <sub>BHV</sub> =V <sub>CC</sub> -4×I <sub>B</sub> ×(R <sub>M</sub> R+5.5 Ω) I <sub>B</sub> ="1,1,1" R <sub>M</sub> R=50 Ω	-8		8	%
Read Characteristics R <sub>M</sub> R=50 Ω, I <sub>B</sub> =6.0 mA							
R1	Low Gain	A <sub>VL</sub>	[GAIN]=0 R <sub>M</sub> R=50 Ω, I <sub>B</sub> =6.0 mA	115	140	165	V/V
R2	High Gain	A <sub>VH</sub>	[GAIN]=1 R <sub>M</sub> R=50 Ω, I <sub>B</sub> =6.0 mA	155	190	225	V/V
R3	Low frequency cut-off (-3 dB)	F <sub>CL</sub>			350	550	kHz
R4	High frequency cut-off (-3 dB)	F <sub>CH</sub>		140	200		MHz
R5	Input reflected noise	E <sub>NI</sub>	Exclusive of Head noise R <sub>M</sub> R=50 Ω, I <sub>B</sub> =6.0 mA		0.77	0.95	nV/√Hz
R6	MR bias current range 1	I <sub>BR1</sub>		3		8	mA
R7	MR bias accuracy	E <sub>IB</sub>		-7		+7	%
R8	MR bias resolution	R <sub>IB</sub>	3 bit DAC		0.714		mA
R9-1	V <sub>CC</sub> power supply rejection ratio	PSRR1	Ripple voltage : 100 mVp-p 100 kHz to 50 MHz	38			dB
R9-2	V <sub>EE</sub> power supply rejection ratio	PSRR2	Ripple voltage : 100 mVp-p 100 kHz to 10 MHz	45			dB
R10-1	Common mode rejection ratio 1	CMRR1	Ripple voltage : 100 mVp-p 100 kHz to 50 MHz	37			dB
R10-2	Common mode rejection ratio 2	CMRR2	Ripple voltage : 100 mVp-p 51 MHz to 80 MHz	27			dB
R11	Control line input noise rejection	CLRR	Ripple voltage : 100 mVp-p 4 MHz to 80 MHz	40			dB
R12	RDX/RDY offset difference magnitude	V <sub>OFF1</sub>	Write to Read			50	mV
R13	RDX/RDY output impedance	R <sub>Dro</sub>	Differential, read mode	30		100	Ω

No.	Item	Symbol	Measurement conditions	Min.	Typ.	Max.	Unit
Read Safety Characteristics							
P1	MR head open threshold	MROp	Head X - Head Y	600	750	900	mV
P2	MR head short threshold	MRsh	Head X - Head Y IB= '000' to '011'	15	50	90	mV
Write Characteristics							
W1	Write current range	IWR	DAC code= $\times$ '0000' to $\times$ '1111'	15		45	mA
W2	Write current accuracy	EIW	RH=0 $\Omega$	-7		+7	%
W3	Write current resolution	RIW	4 bit DAC		2		mA
W4	Leakage current	ILEAK	Unselected head			200	$\mu$ A
W6	Damping register	RD		320	420	520	$\Omega$
W7	Write current propagation delay time	Tpd	LH=0, RH=0 Write DATA to 50 % of Write current			10	ns
W8	Write current rise/fall time	TR/TF	RH=15 $\Omega$ , LH=150 nH, Iw=31 mA		2.5		ns
W9	Erase current accuracy	EIE	VCC=3.5 V DAC code= $\times$ '0101'	-18	-9	0	%
Write Safety Characteristics							
U1	Write head open threshold	ROp	Detect open head		1.2	1.4	V
U2	Head voltage when short to GND	VG	Detect short to GND			0.1	V
U3	WD frequency too low	fWDL		0.5		1.8	MHz
U4	Write safety detect time	Tws	T1 : 2 transitions on WDX/WDY			300 +T1	ns
U5	Low Vcc threshold	VWthL	Fault detected	3.7	3.9	4.1	V
U6	Low Vcc threshold	VWthH	Fault removed	3.9	4.1	4.3	V
U7	Low Vcc threshold hysteresis	Vhys			200		mV

No.	Item	Symbol	Measurement conditions	Min.	Typ.	Max.	Unit
Switching Characteristics $I_W=31\text{ mA}$ , $I_B=6\text{ mA}$							
S1	Write to Read	$T_{WR}$	Signal on WDX/WDY 90 % RD signal or 10 % $I_W$		300	500	ns
S2	Read to Write	$T_{RW}$	90 % $I^W$		50	70	ns
S3	Idle to Read	$T_{IR}$	90 % RD signal			1.0	$\mu\text{s}$
S4-1	Sleep to Read(A3238)	$T_{SR1}$	90 % RD signal ,90 % $I_B^{(*1)}$ $I_B="0,1,1"$		600	1000	$\mu\text{s}$
S4-2	Sleep to Read(A3239)	$T_{SR2}$	90 % RD signal ,90 % $I_B^{(*1)}$ $I_B="0,1,1"$		600	2000	$\mu\text{s}$
Bank Write Characteristics $I_W=31\text{ mA}$ , $I_B=6\text{ mA}$							
S5	Read to Bank Write	$T_{RB}$	90 % $I_W$			100	ns
S6	Bank Write to Read	$T_{BR}$	10 % $I_W$			100	ns
S7	Idle to Bank Write Idle to Write	$T_{IW}$	90 % $I_W$			300	us
Serial port timing							
B1	Set up time	$T_{su}$ (sden)	SDEN to first SCLK	10			ns
B2	Hold time	$T_h$ (sden)	Last SCLK to deassert SDEN	10			ns
B4	SCLK frequency	$f$ (sclk)				30	MHz
B5	SCLK pulse width	$T_w$ (sclk)		10			ns
B6	SCLK-SDATA set up time	$T_{su}$ (d)		10			ns
B7	SCLK-SDATA hold time	$T_h$ (d)		10			ns
B8	SDEN low time	$T_{SL}$		100			ns

(\*1) TSR is proportional to  $I_B$  and external CAP value

**Serial port characteristics**

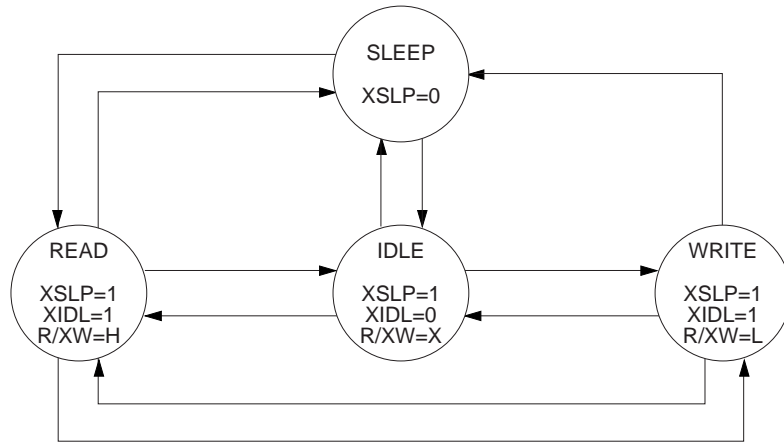
ADR1	ADR0	DATA5	DATA4	DATA3	DATA2	DATA1	DATA0
0	0	XSLP	XIDL	N/A	HS2	HS1	HS0
0	1	GAIN	BHV	N/A	IB2	IB1	IB0
1	0	MROPN	MRSHT	IW3	IW2	IW1	IW0

\*IB<2-0> bits are initialized by '0' at power on

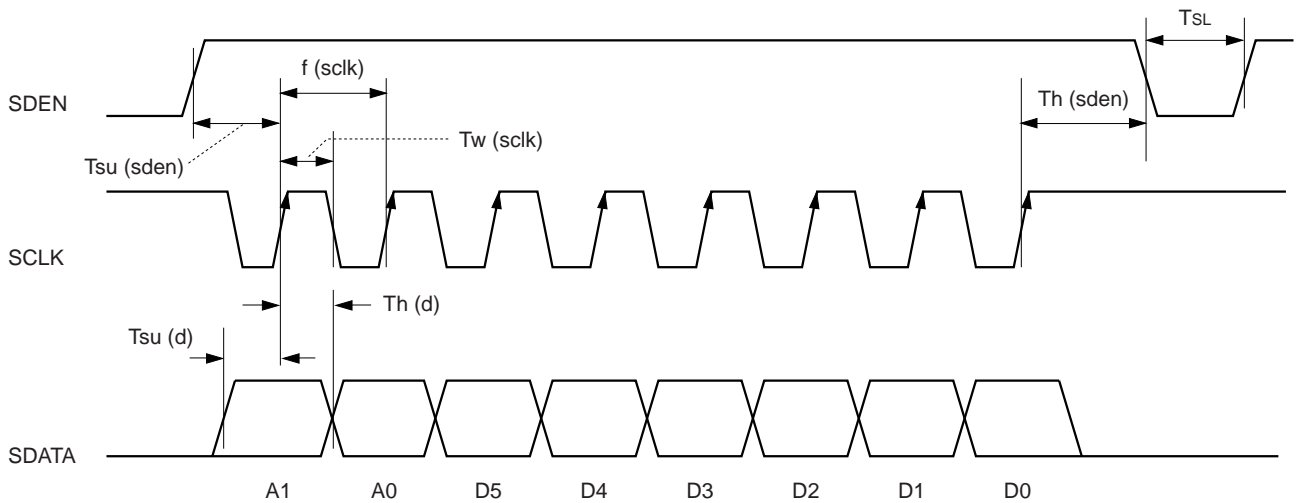
**Code Description**

Bit	Function
XSLP	"0" = Set the pre-amp into low power "sleep" mode
XIDL	"0" = Set preamplifier to idle mode
HS<2-0>	Head select bit
GAIN	Set the pre-amp to high or low gain mode. "1" = Set preamplifier to high gain mode
BHV	Activate the BHV test point pin. "1" active.
IB<2-0>	MR bias current set
MROPN	"1" = Set MR head open detector active.
MRSHT	"1" = Set MR head short detector active.
IW<3-0>	Set write current

**Mode Control**



**Serial Port Timing Detail**



**Serial Port Timing**

After the SDEN goes high, the last eight bits are transferred into the register. The SCLK will shift the data presented at the SDATA into an internal shift register on the rising edge of each clock. As SCLK initial condition, both of Low and High signal is acceptable.

◆ Unsafe condition

1. Write fault condition

FLT is a high level in write fault condition.

- Open write head leads.  $f_{WD} < 15 \text{ MHz}$
- Write head leads shorted to ground.
- WD frequency is too low.
- Power supply is out of tolerance.

2. Read fault condition

FLT is a low level in read fault condition.

- Open and short MR head. (This function is set by serial register)

◆ Bank write control (refer to 'Bank write current vs Current accuracy' characteristic curve)

1. Set the Read mode.
2. Force a certain voltage(min.  $V_{CC}+1.2V$ ) to FLT/SE pin by using the pull-up resistor( $R_{se}=820\Omega$ )  
#This operation disables all Fault detection.
3. Set  $V_{CC}$  at 3.5 V (in case of Erase mode only)
4. Start the write operation by setting R/XW = "L".
5. Terminate the write operation by setting R/XW = "H".

- i) Allow 50 % write duty or less.
- ii) Low voltage detector is disabled in Bank Write mode and Erase mode.
- iii) Don't change the serial register data bits in following conditions :
  - \*)  $V_{CC}=3.5 \text{ V}$
  - \*\*\*) On entering Write data

◆ BHV (Buffered Head Voltage)

1. Applicable within  $V_{CC}=5 \text{ V} \pm 5 \%$
2. Turn BHV on, but turn off MROPN and MRSHT
3.  $V_{BHV}$  is determined by basis of  $V_{CC}$ .  $V_{BHV} = V_{CC} - 4 \times I_B \times (R_{MR} + 5.5 \Omega)$

◆ Head select table

6ch

HS2	HS1	HS0	Head select, Normal operation
0	0	0	0
0	0	1	1
0	1	0	2
0	1	1	3
1	0	0	4
1	0	1	5
1	1	0	none
1	1	1	none



## ◆ Head select table

4ch

HS2	HS1	HS0	Head select, Normal operation
0	0	0	0
0	0	1	1
0	1	0	2
0	1	1	3
1	0	0	none
1	0	1	none
1	1	0	none
1	1	1	none

## ◆ MR Bias

IB2	IB1	IB0	I <sub>B</sub> (mA)
0	0	0	3.0
0	0	1	3.714
0	1	0	4.429
0	1	1	5.143
1	0	0	5.857
1	0	1	6.571
1	1	0	7.286
1	1	1	8.0

## ◆ Write current

IW3	IW2	IW1	IW0	Write current (mA 0-P)
0	0	0	0	15
0	0	0	1	17
0	0	1	0	19
0	0	1	1	21
0	1	0	0	23
0	1	0	1	25
0	1	1	0	27
0	1	1	1	29
1	0	0	0	31
1	0	0	1	33
1	0	1	0	35
1	0	1	1	37
1	1	0	0	39
1	1	0	1	41
1	1	1	0	43
1	1	1	1	45

(\*1) Actual head current is defined by the following equation:

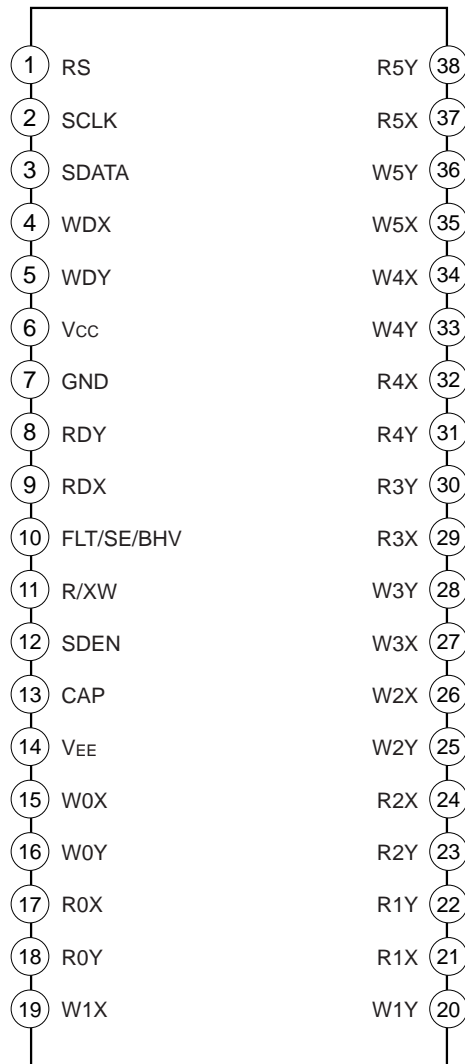
$$I_{\text{head}} = I_w / (1 + R_h / R_d)$$

R<sub>h</sub> : Head Resistance

R<sub>d</sub> : Damping Resistance

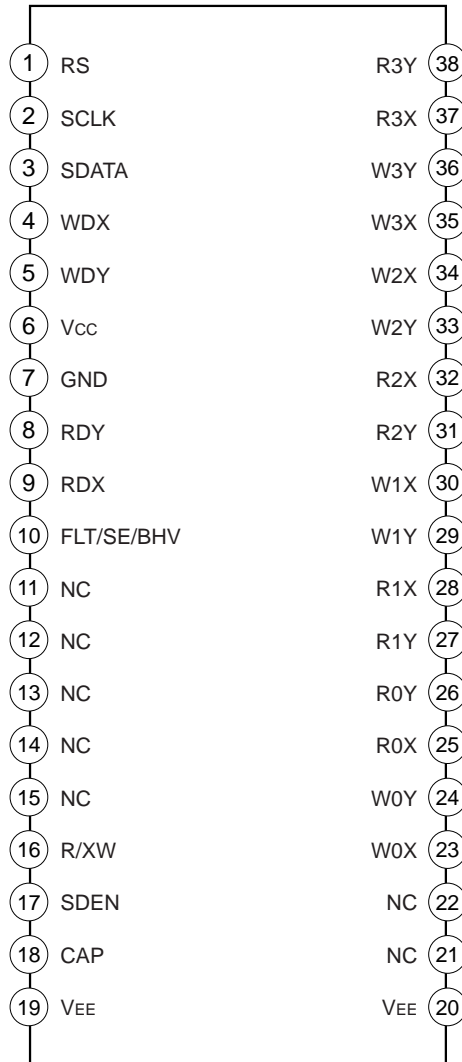
(\*2) Short X-Y terminal on un-used head

◆ 6ch CXA3238TN



TSSOP 38Pin 0.5 mm pitch  
 Package dimension including leads 6.4 × 9.7 mm

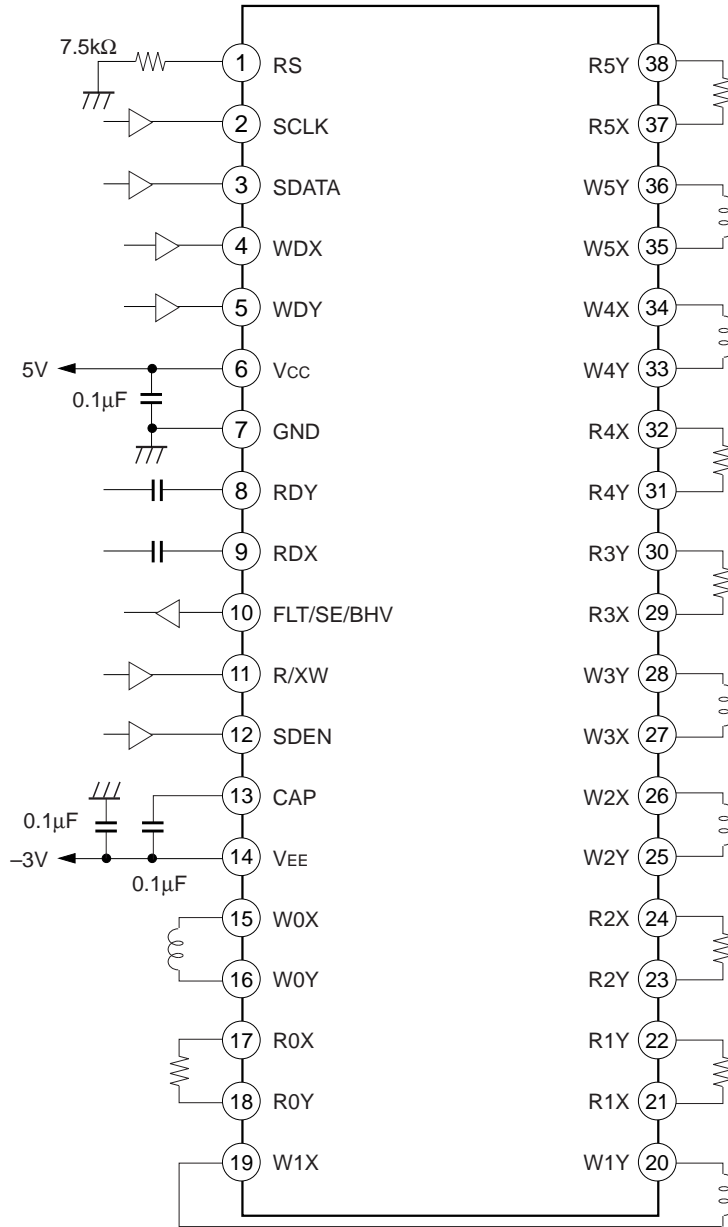
◆ 4ch CXA3239TN



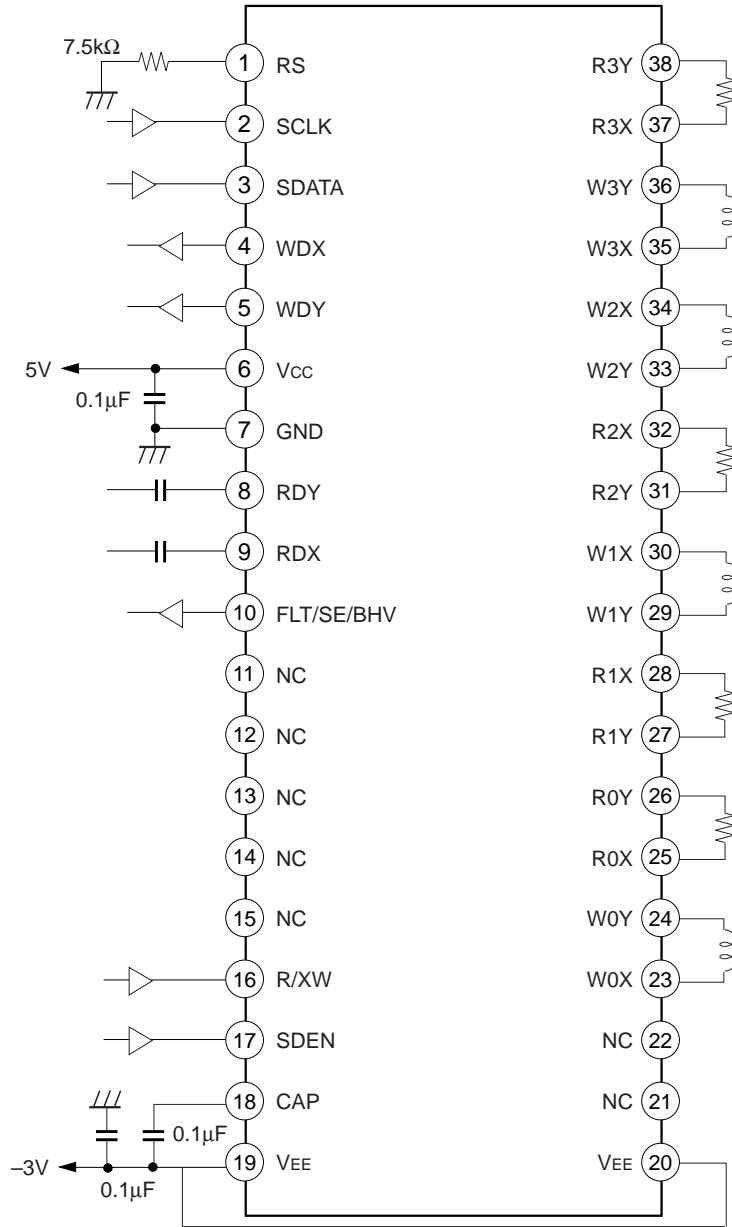
TSSOP 38Pin 0.5 mm pitch  
 Package dimension including leads 6.4 × 9.7 mm

Application Circuit

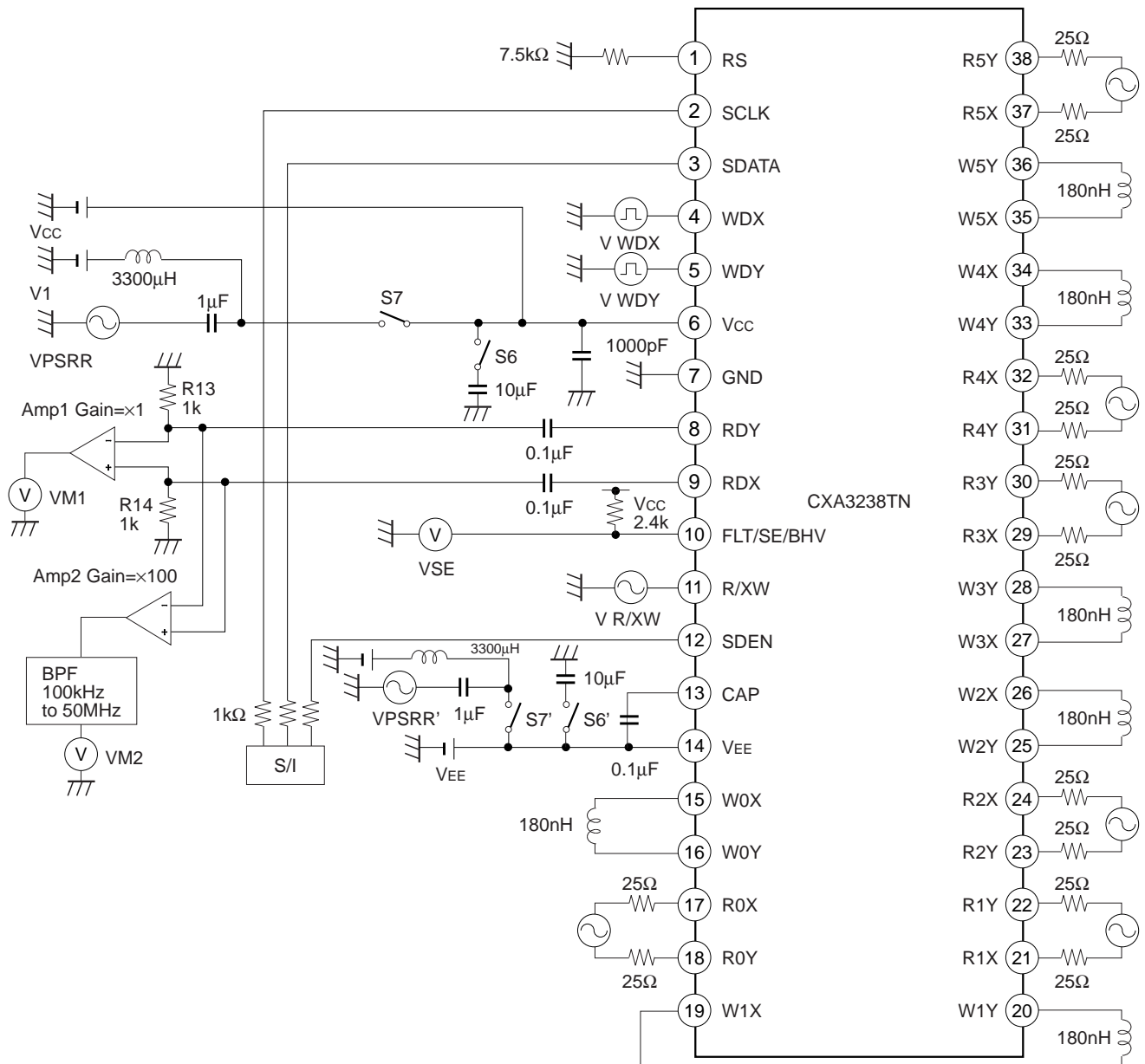
CXA3238TN

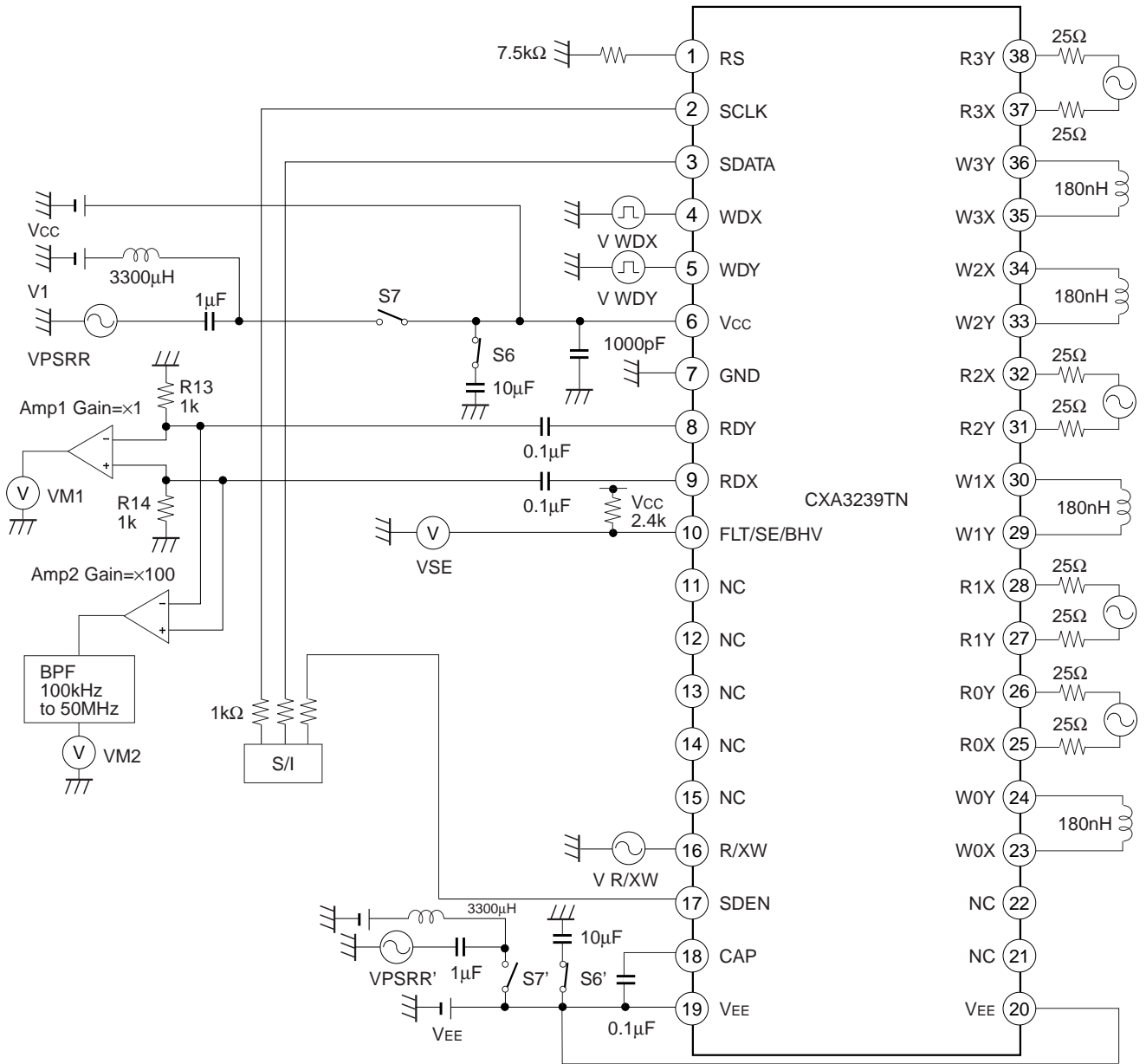


CXA3239TN



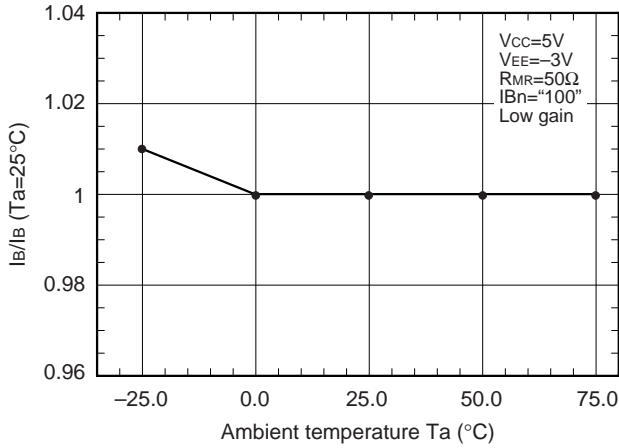
Measurement Spec.Circuit



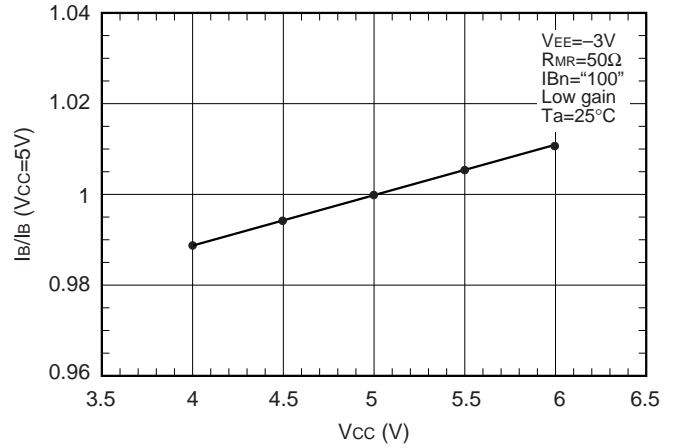




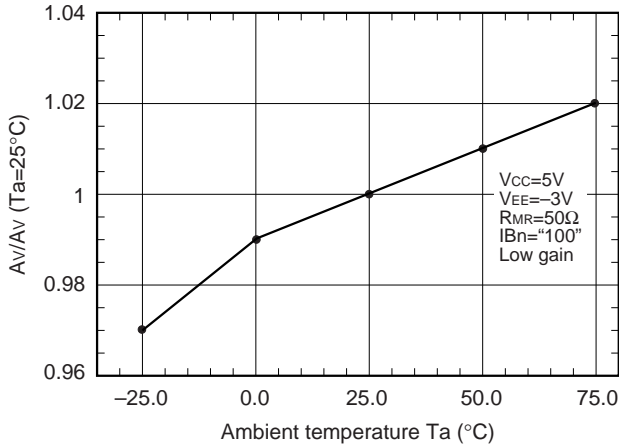
Normalized bias current vs Ambient temperature



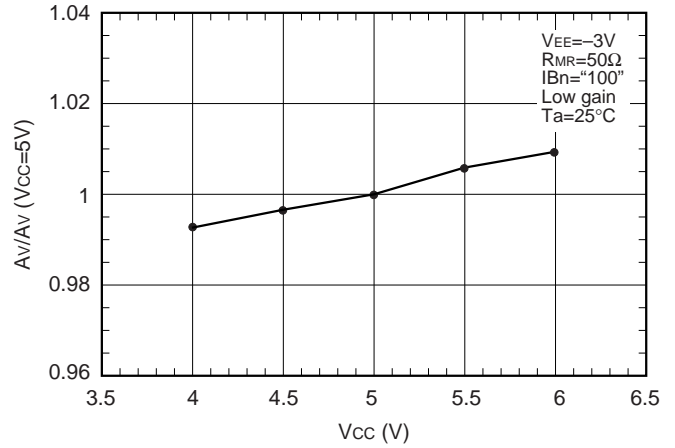
Normalized bias current vs Power supply voltage



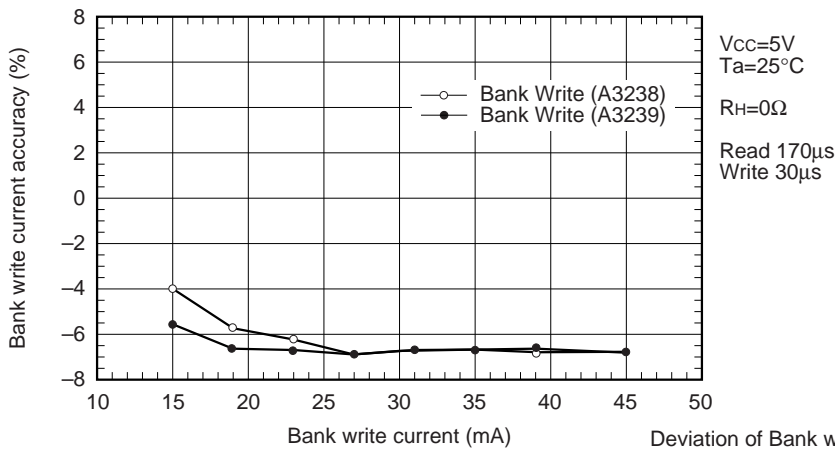
Normalized read amplifier voltage gain vs Ambient temperature



Normalized read amplifier voltage gain vs Power supply voltage

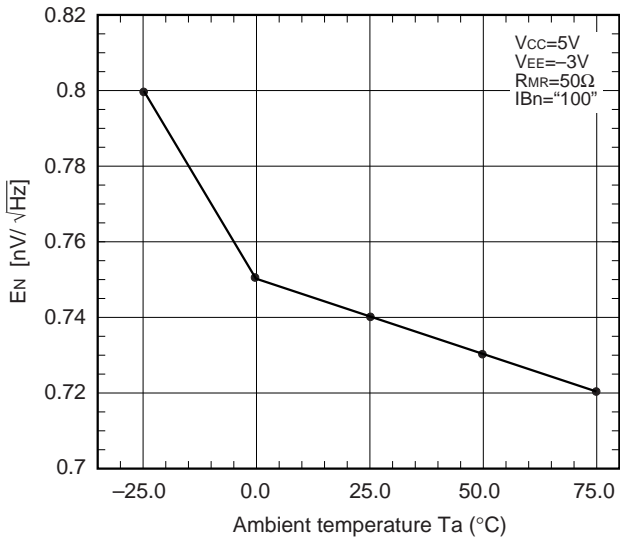


Bank write current vs Current accuracy

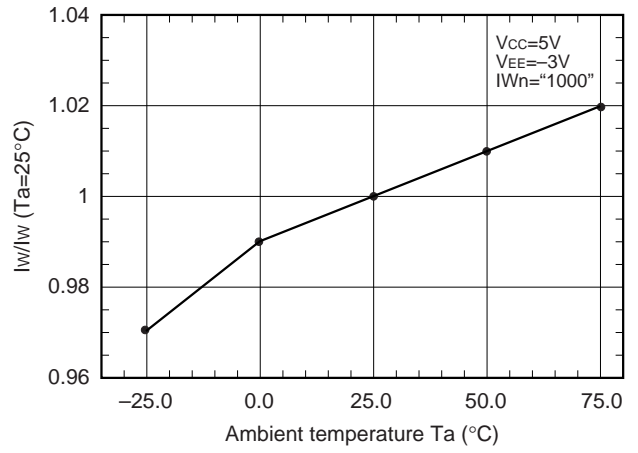


Deviation of Bank write current is within ±7% at basis of the chart

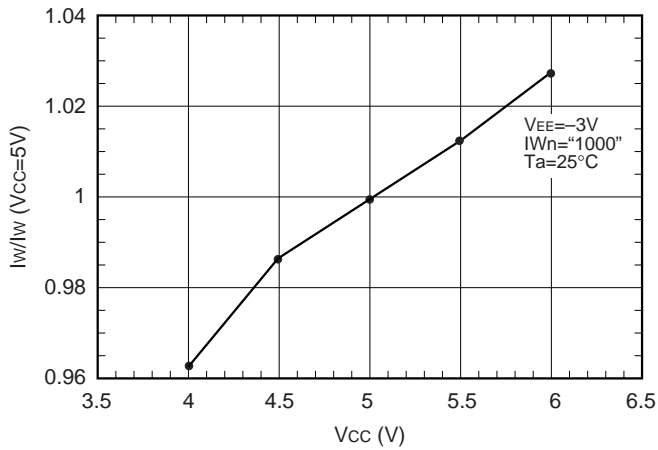
Input referred noise voltage vs Ambient temperature



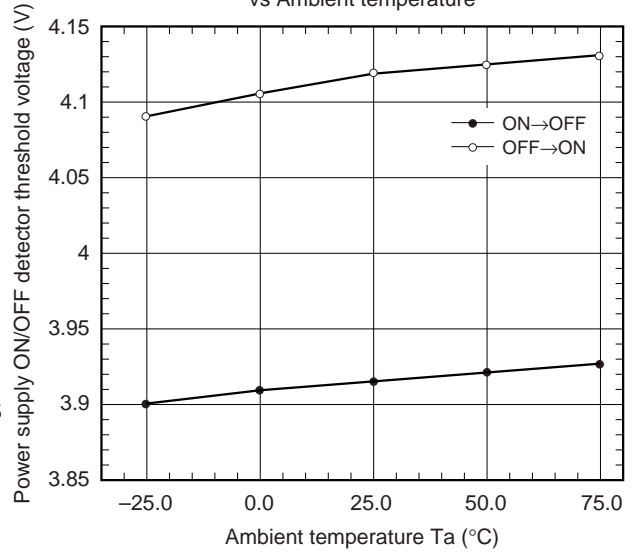
Normalized write current vs Ambient temperature



Normalized write current vs Power supply voltage

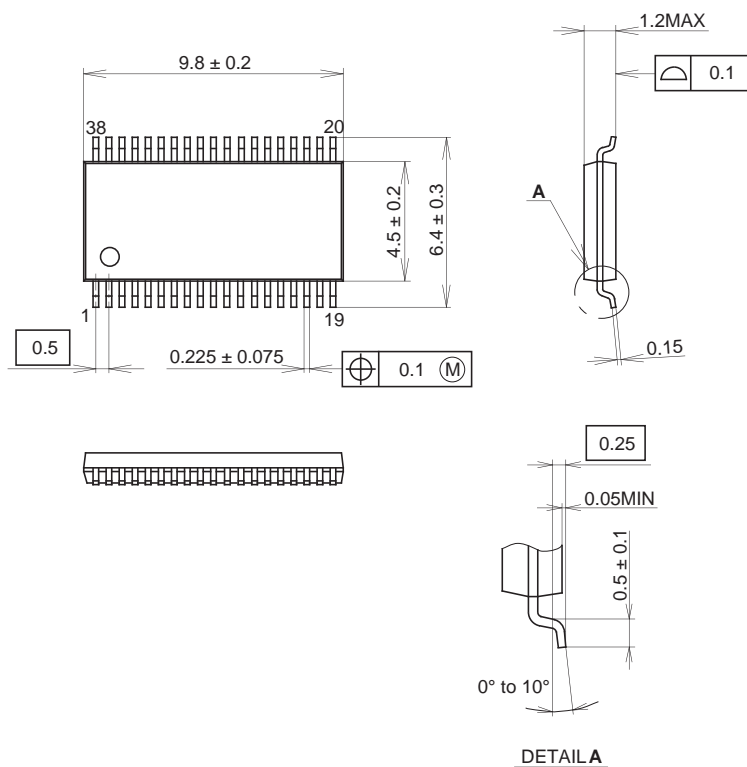


Power supply ON/OFF detector threshold voltage vs Ambient temperature



Package Outline Unit : mm

38PIN TSSOP(PLASTIC)



PACKAGE STRUCTURE

SONY CODE	TSSOP-38P-L121
EIAJ CODE	_____
JEDEC CODE	_____

PACKAGE MATERIAL	EPOXY RESIN
LEAD TREATMENT	SOLDER PLATING
LEAD MATERIAL	COPPER ALLOY
PACKAGE MASS	0.1g